



BT7056

FLOOR FIXING KIT FOR Ø50MM POLES

INSTALLATION GUIDE & PARTS LIST

This Pack Contains 1 Floor Fixing Kit

PLEASE KEEP THIS FOR FUTURE REFERENCE



FEATURES



- Designed to be used with a Ø50mm pole
- Allows Ø50mm poles to be fixed to the floor to prevent lateral movement in a floor to ceiling / wall installation
- Suitable for most floor types including concrete and wooden floors
- Kit comprises of two different solutions for installation
- Plate diameter (without covers): 82mm
- Coverplate and fixing hardware included
- Finishing ring can be retro fitted onto pole
- Must be used with a pole suspended from a ceiling or wall mount

Poles sold separately

Registered Design Number: 002741256-0005

CONTENTS

Installation Safety Notes.....	2
Parts List.....	4
Product Dimensions.....	4
Installation Instructions.....	5
B-Tech Contact Details.....	8

INSTALLATION TOOLS REQUIRED

Drill

10mm / 8mm masonry bit
or 6mm / 4mm wood bit

13mm spanner

Crosshead or flathead
screwdriver

Pencil



B-TECH AUDIO VIDEO MOUNTS

www.btechavmounts.com

INSTALLATION SAFETY INSTRUCTIONS



CAUTION: This floor fixing kit is intended for use only with the maximum weights indicated. Use with AV equipment heavier than the maximum indicated may result in instability causing possible injury.

Do not attempt to install this product until all instructions and warnings have been read and properly understood. Please keep these instructions for future reference.

Please check carefully to make sure there are no missing or defective parts - defective parts must never be used. B-Tech International Limited, its distributors and dealers are not liable or responsible for damage or injury caused by improper installation, improper use or failure to observe these safety instructions. In such cases, all guarantees will expire.

General

Great care must always be taken during installation as most AV equipment is of a fragile nature, possibly heavy and easily damaged if dropped.

If you do not fully understand the instructions or are not sure how to install this product safely, then please consult a professional for advice and/or to install this product for you. Failure to mount this product correctly may cause serious injury or death both during installation and at any time thereafter. Do not mount any AV equipment that exceeds the specific weight limit of the product you are installing. This weight limit will be clearly stated on each product and its packaging and will vary from product to product.

Product location

Please pay careful attention to where this product is located. Some locations are not suitable for installation.

If located in a public or frequently populated area ensure that the product is out of the immediate reach of people.

Fixing hardware

It is highly recommended that all fixing screws be used where supplied and that the purpose of all other fixing hardware is fully understood. In some cases more AV equipment fixing hardware will be supplied to accommodate different models of equipment and set up configurations.

The installer must be satisfied that any supplied fixing hardware is suitable for each specific installation. If any fixing screws or included hardware are deemed not sufficient for a safe installation then please consult a professional or your local hardware store.

Hazard limitation

When routing cables take advantage of any built in cable management features that the product might provide and ensure that all cables are tidy and secure. Check to see that any moving aspect of the product can do so unhindered by any cabling.

Some products have moving parts and the potential to cause injury through the crushing or trapping of fingers or other body parts.

Particular attention to the nature of moving parts is required especially when assembling installing and adjusting during set up.

Immediately after installations double-check that the work done is safe and secure. Double-check all necessary fixings are present and are of ample tightness.

It is recommended that periodic inspections of the product and its fixing points are made as frequently as possible to ensure that safety is maintained. If in doubt consult a professional AV installer or other suitably qualified person.

CS

Společnost B-Tech International Ltd. doporučuje provést instalaci tohoto produktu prostřednictvím odborného instalátora AV či jinak způsobilé osoby. Společnost B-Tech International Ltd, její distributoři a prodejci nenesou odpovědnost za škody nebo zranění způsobená nevhodnou instalací. Tento výrobek je nutno umístit do vhodné konstrukce a používat jen po uvedené maximální výšce.

DE

B-Tech International Ltd. empfiehlt, dass dieses Produkt durch einen qualifizierten AV-Techniker oder eine andere Person mit geeigneter Qualifikation installiert wird. B-Tech International Ltd, ihre Distributoren und Händler können nicht für durch fehlerhafte Montage verursachte Beschädigung oder Verletzung haftbar bzw. verantwortlich gemacht werden. Dieses Produkt muss auf eine geeignetem Untergrund montiert werden und darf nur bis zum angegebenen Höchstgewicht verwendet werden.

ES

B-Tech International Ltd. recomienda que un instalador de audio y video profesional u otra persona debidamente cualificada instalen este producto. B-Tech International Ltd, sus distribuidores y concesionarios no se hacen cargo ni se responsabilizan de ningún daño o lesión provocados por una instalación inapropiada. Este producto se debe montar en una estructura adecuada y se debe utilizar soportando solamente hasta el peso máximo indicado.

FR

B-Tech International Ltd. recommande de confier l'installation de ce produit à un installateur AV professionnel ou à une autre personne dûment qualifiée. B-Tech International Ltd, ses distributeurs et ses revendeurs ne sauraient être tenus responsables de tout dégât ou de toute blessure résultant d'une installation incorrecte. Ce produit doit être monté sur un support approprié et utilisé dans la limite du poids maximum indiqué.

IT

B-Tech International Ltd. consiglia di affidare l'installazione di questo prodotto a un installatore specializzato o ad altra persona adeguatamente qualificata. B-Tech International Ltd, i suoi distributori e rivenditori non accettano alcuna responsabilità nei riguardi di eventuali danni o infortuni causati da un'errata installazione. Questo prodotto deve essere fissato a una struttura idonea e utilizzato unicamente sino al peso massimo indicato.

NL

B-Tech International Ltd. adviseert om dit product te laten installeren door een professionele AV-installateur of andere hiervoor gekwalificeerde persoon. B-Tech International Ltd, haar distributeurs en dealers zijn niet aansprakelijk of verantwoordelijk voor schade of letsel die is veroorzaakt door onoordeelkundige installatie. Dit product moet worden gemonteerd aan een geschikte constructie, waarbij het aangegeven maximum gewicht niet mag worden overschreden.

PL

Firma B-Tech International Ltd. zaleca, aby ten produkt był instalowany przez profesjonalnych instalatorów AV lub inny odpowiednio przeszkolony personel. Firma B-Tech International Ltd, jej dystrybutorzy i dealerzy nie ponoszą odpowiedzialności za uszkodzenia lub obrażenia ciała powstałe w wyniku nieprawidłowej instalacji. Niniejszy produkt musi być zamontowany na odpowiedniej powierzchni, a podczas użytkowania nie wolno przekraczać podanego maksymalnego obciążenia.

PT

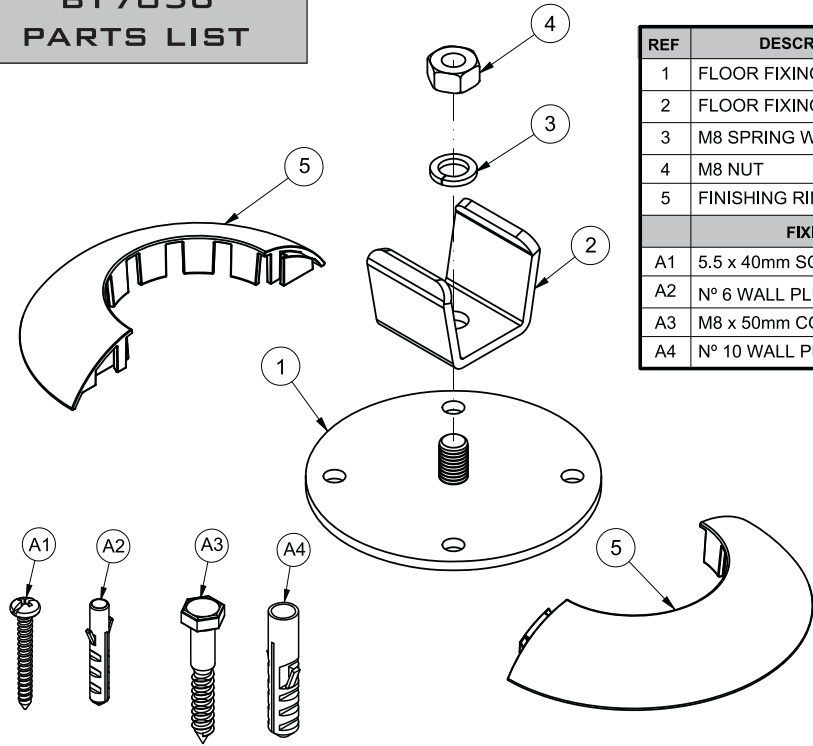
A B-Tech International Ltd. recomenda que a instalação deste produto seja efectuada por um instalador de AV profissional ou outra pessoa devidamente habilitada. A B-Tech International Ltd. e os seus distribuidores e concessionários não são responsáveis por danos ou lesões causados por uma instalação incorrecta. Este produto tem de ser montado numa estrutura adequada e utilizado somente até ao peso máximo indicado.

RU

Компания B-Tech International Ltd. рекомендует, чтобы установка данного изделия производилась инженером по установке аудио-видеотехники или другим специалистом с соответствующей квалификацией. Компания B-Tech International Ltd., ее дистрибьюторы и дилеры не несут ответственности за повреждения или травмы, полученные в результате неправильной установки. Данное изделие должно

توصي بي-تيك للتجارة الدولية المحدودة بأن شخص محترف في تركيب ال AV او شخص مؤهل تأهيلا مناسباً لتركيب هذا المنتج. بي-تيك للتجارة الدولية، موزعيها والتجار ليست عرضة أو مسؤولة عن الأضرار أو الإصابات الناجمة عن تركيب غير سليم، والاستخدام غير السليم أو عدم مراعاة هذه التعليمات للسلامة. يجب أن يتم تركيب هذا المنتج في بنية مناسبة ويجب استخدام فقط لدعم الحد الأقصى للوزن المشار إليه.

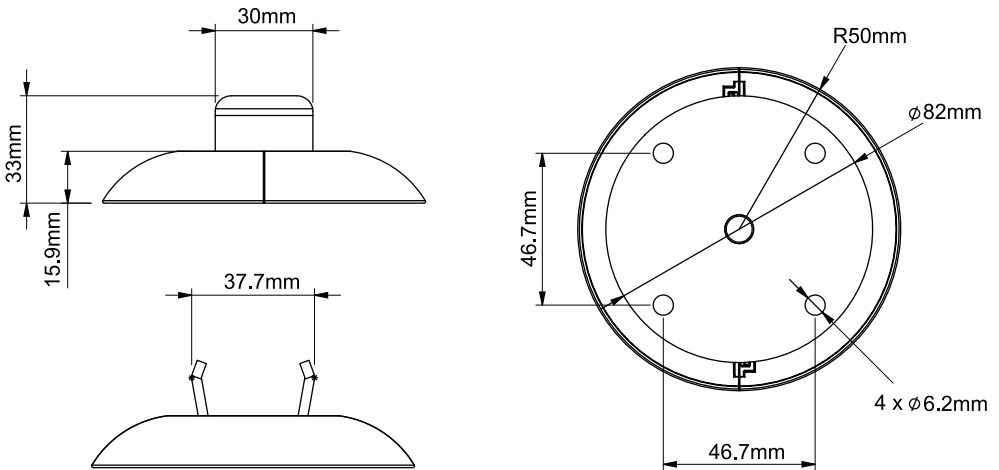
BT7056 PARTS LIST



REF	DESCRIPTION	QTY
1	FLOOR FIXING DISC	1
2	FLOOR FIXING U BRACKET	1
3	M8 SPRING WASHER	1
4	M8 NUT	1
5	FINISHING RING (HALF)	2
FIXINGS		
A1	5.5 x 40mm SCREW	4
A2	N° 6 WALL PLUG	4
A3	M8 x 50mm COACH SCREW	1
A4	N° 10 WALL PLUG	1

PLEASE KEEP THIS FOR FUTURE REFERENCE

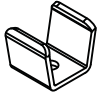
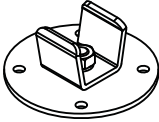
BT7056 PRODUCT DIMENSIONS



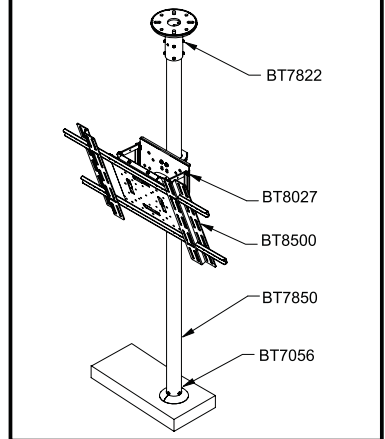
THESE INSTRUCTIONS ARE INTENDED AS A GUIDE ONLY AND B-TECH ACCEPTS NO LIABILITY FOR THE ACCURACY OF THE INFORMATION CONTAINED IN THIS DOCUMENT.

INSTALLATION INSTRUCTIONS

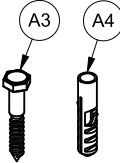
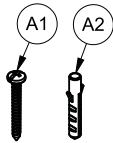


CHOOSE YOUR FIXING PRODUCT

	Fixing A	Fixing B
		
Recommended Installation	Load ideally suspended from the ceiling	Load taken by the floor or suspended from the ceiling
Fixing Method (see other table)	Centre only	External
Trim Ring	Optional	Advisable
Features	Hidden fixings. Pole length tolerance up to minus 10mm	Plate to spread load. Pole length tolerance up to minus 10mm

EXAMPLE INSTALLATION



SELECT YOUR FIXING

	Concrete Floor		Wooden Floor / Beam	
	Centre Fixing	External Fixing	Centre Fixing	External Fixing
Example fixing method and parts to use				
Drill	10mm Masonry Bit	8mm Masonry Bit	6mm Wood Bit	4mm Wood Bit
Hole Depth	55mm	45mm	50mm	40mm
Plastic Plug	No 10	No 8	Not required	Not required
Tightening Tool	13mm (1/2") Spanner	Medium size cross or flat screwdriver	13mm (1/2") Spanner	Medium size cross or flat screwdriver

Installation Guidelines

Planning and preparation is advisable prior to installation. For some scenarios the pole may have to be inserted into the ceiling mount before the mount is secured to the ceiling.

If cutting the poles to length try to be as accurate as possible and stay within 10mm of the floor to ceiling mount distance.

Make sure you position the floor fixing directly below the ceiling mount so that the pole remains vertical. If the floor is to carry the load of the installed equipment, then good knowledge of the floors suitability to safely support this load is required.

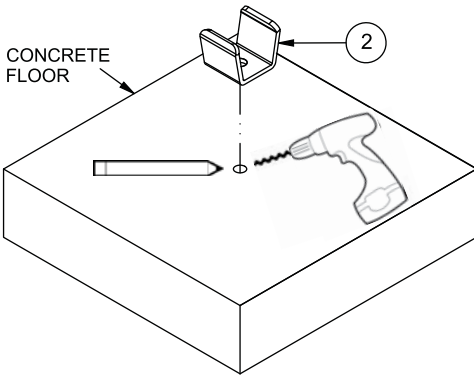
These fixings are suitable for most floor types including concrete and wooden floors.

If fixing to a planked or boarded floor the mounting screws can be replaced with suitable nuts and bolts.

1 A

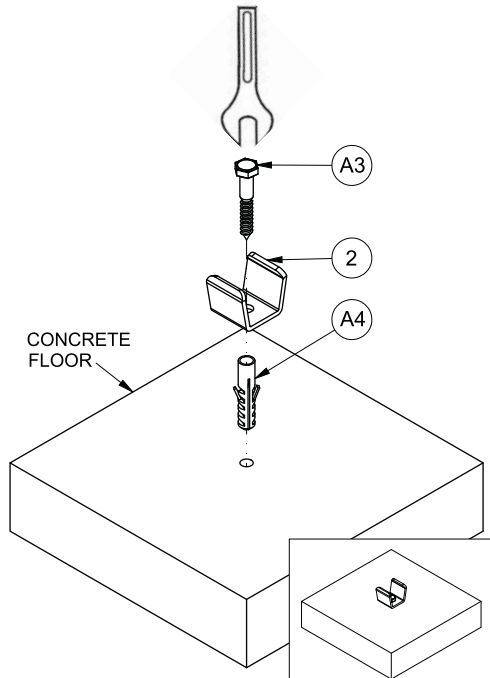
FIXING A

Mark and drill the hole ready for the floor fixing U bracket (part 2).



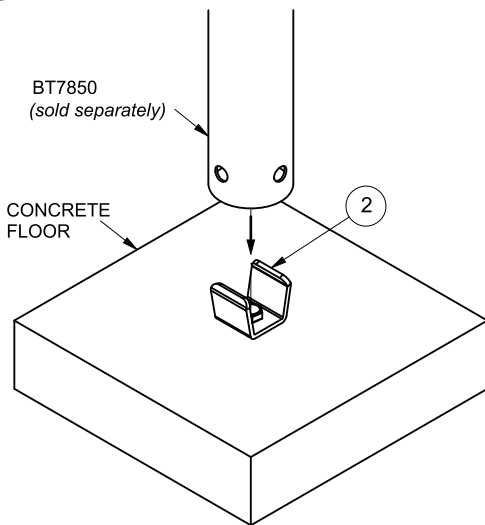
2 A

Fix the floor fixing U bracket (part 2) to the floor using the M8 x 50mm coach screw (part A3).



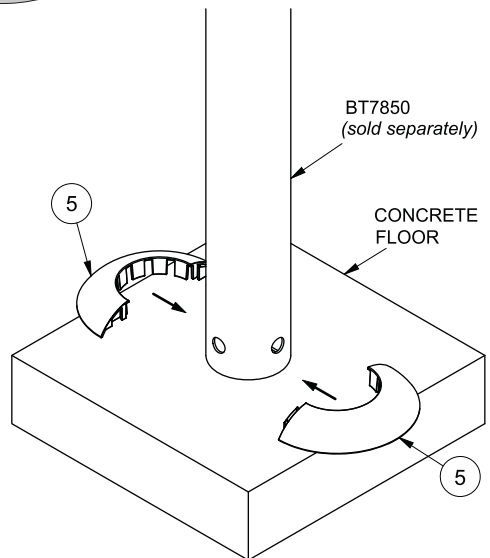
3 A

Fit the Ø50mm pole over the floor fixing U bracket (part 2).

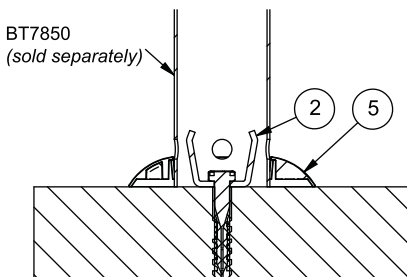


4 A

Assemble the finishing ring halves (part 5) around the pole.

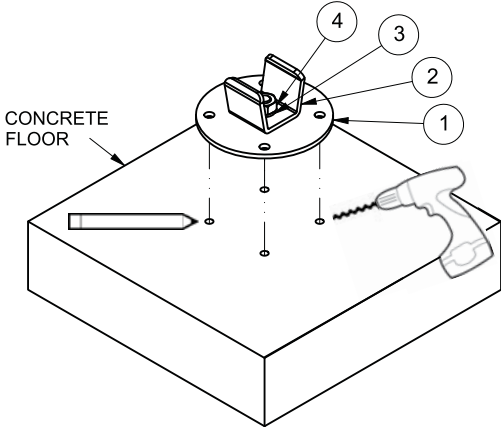


Typical Centre Fixing Installation.

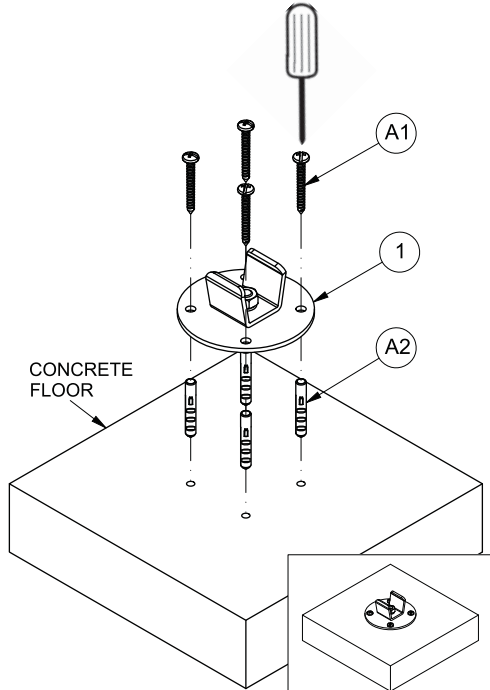


1 B**FIXING B**

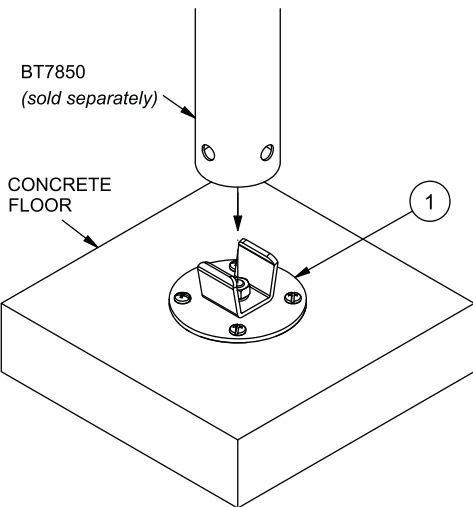
Mark and drill the hole ready for the floor fixing disc assembly (part 1, 2, 3 and 4).

**2 B**

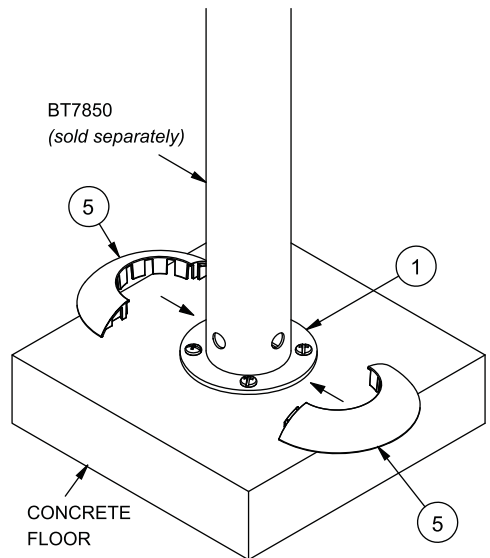
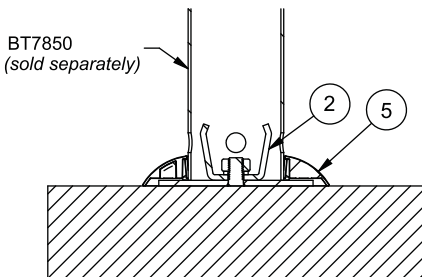
Fix the floor fixing disc (part 1) to the floor using the 5.5 x 40mm screws (part A1).

**3 B**

Fit the Ø50mm pole over the floor fixing U bracket (part 2).

**4 B**

Assemble the finishing ring halves (part 5) around the pole.

**Typical Centre Fixing Installation**



www.btechavmounts.com

B-TECH AUDIO VIDEO MOUNTS

HEAD OFFICE

B-Tech International Limited

Bennett House, Long March, Daventry, Northants., NN11 4NR, UK

Email: info@btechavmounts.com

©2015 B-Tech International Limited. All rights reserved.

B-Tech Audio Video Mounts is a division of B-Tech International Limited.

B-Tech, Better By Design, System 2 and Pro Install are registered trademarks of B-Tech International Limited.

All other brands and product names are trademarks of their respective owners.

Photographs are for illustrative purposes only. E&OE.